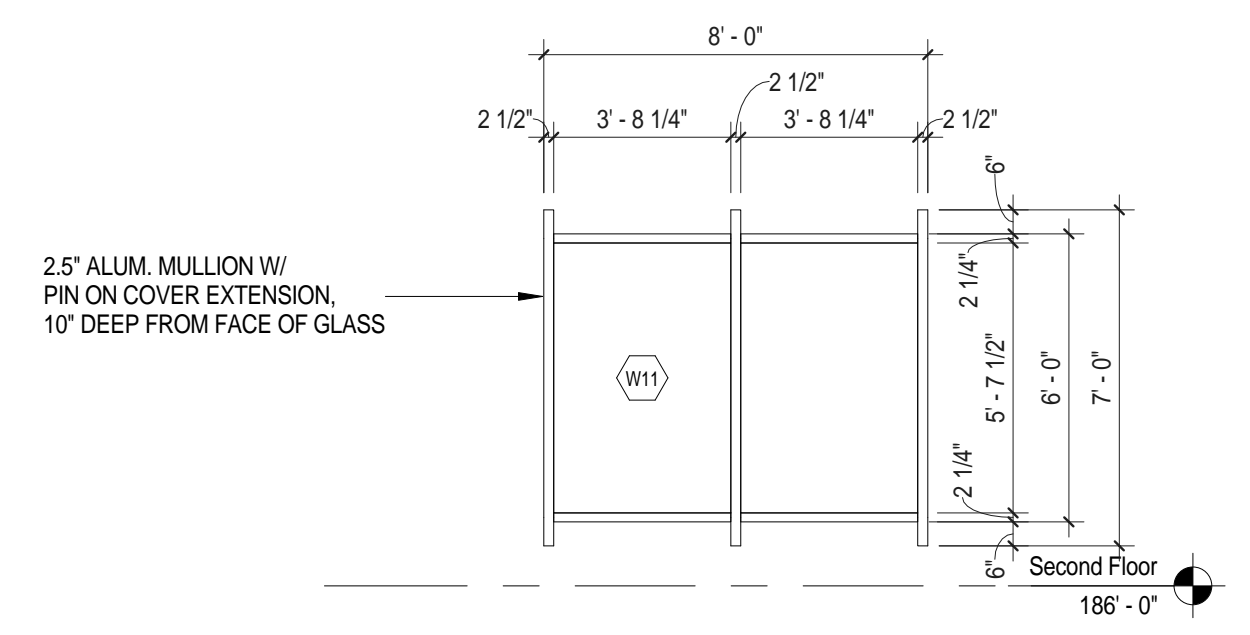
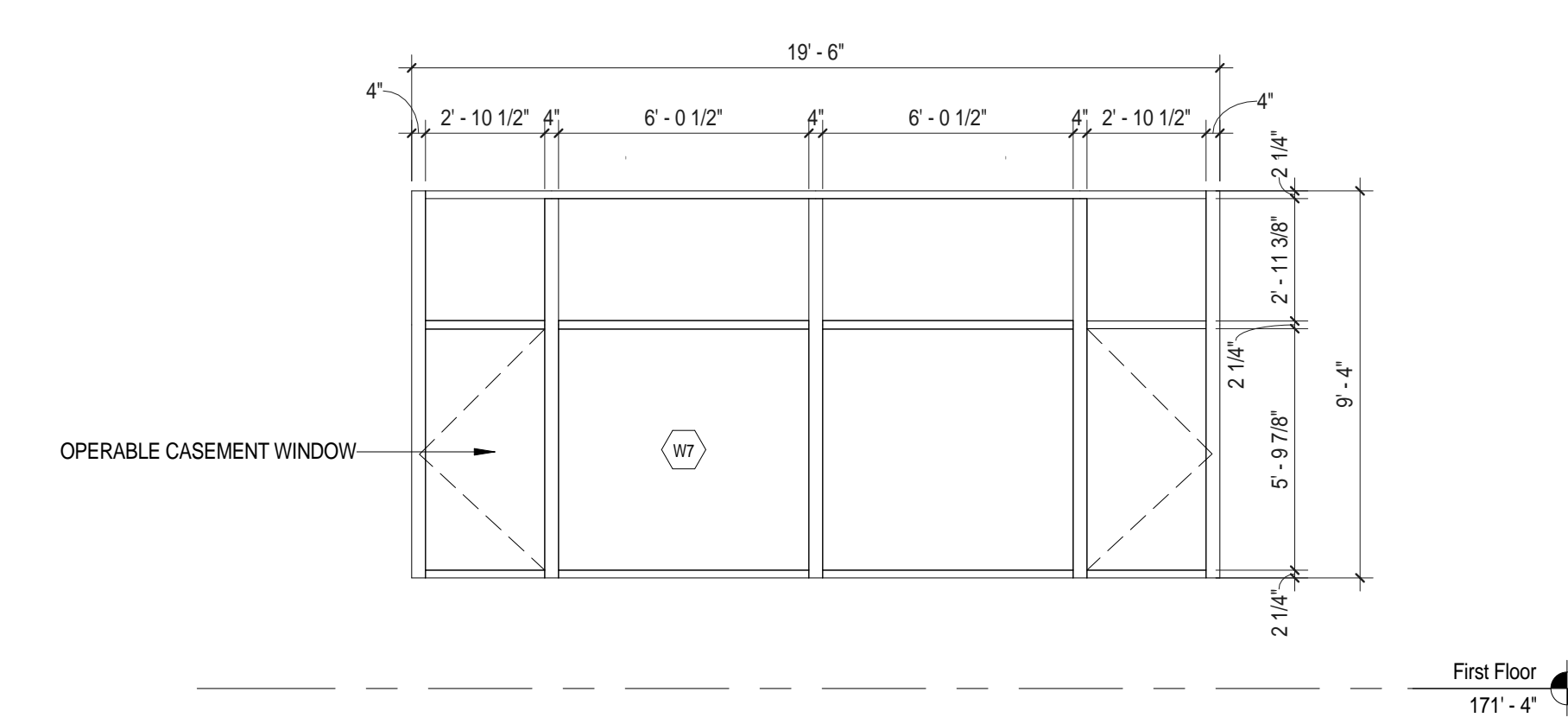


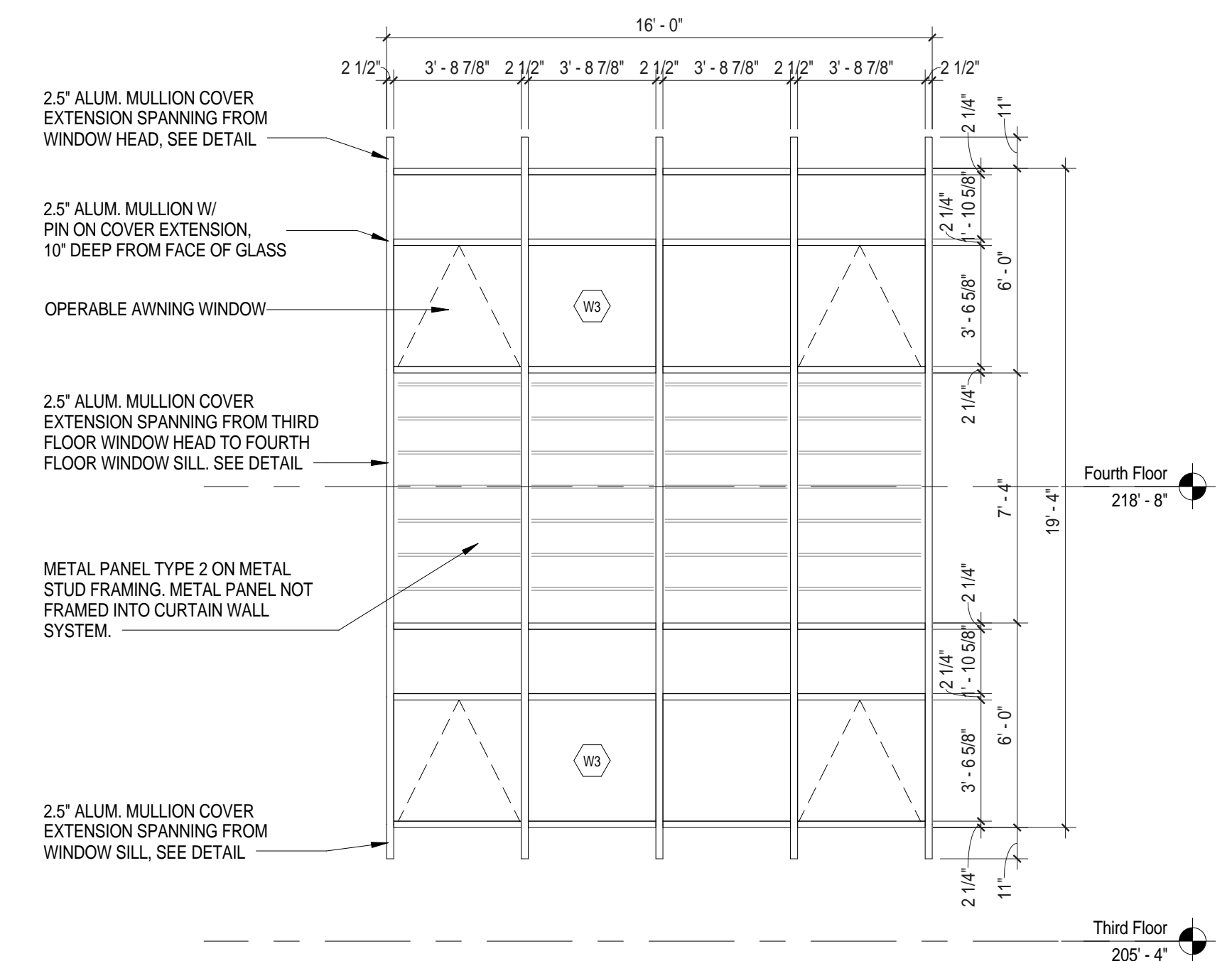
W15 Window Type W15 - Curtain Wall Assembly
1/4" = 1'-0"



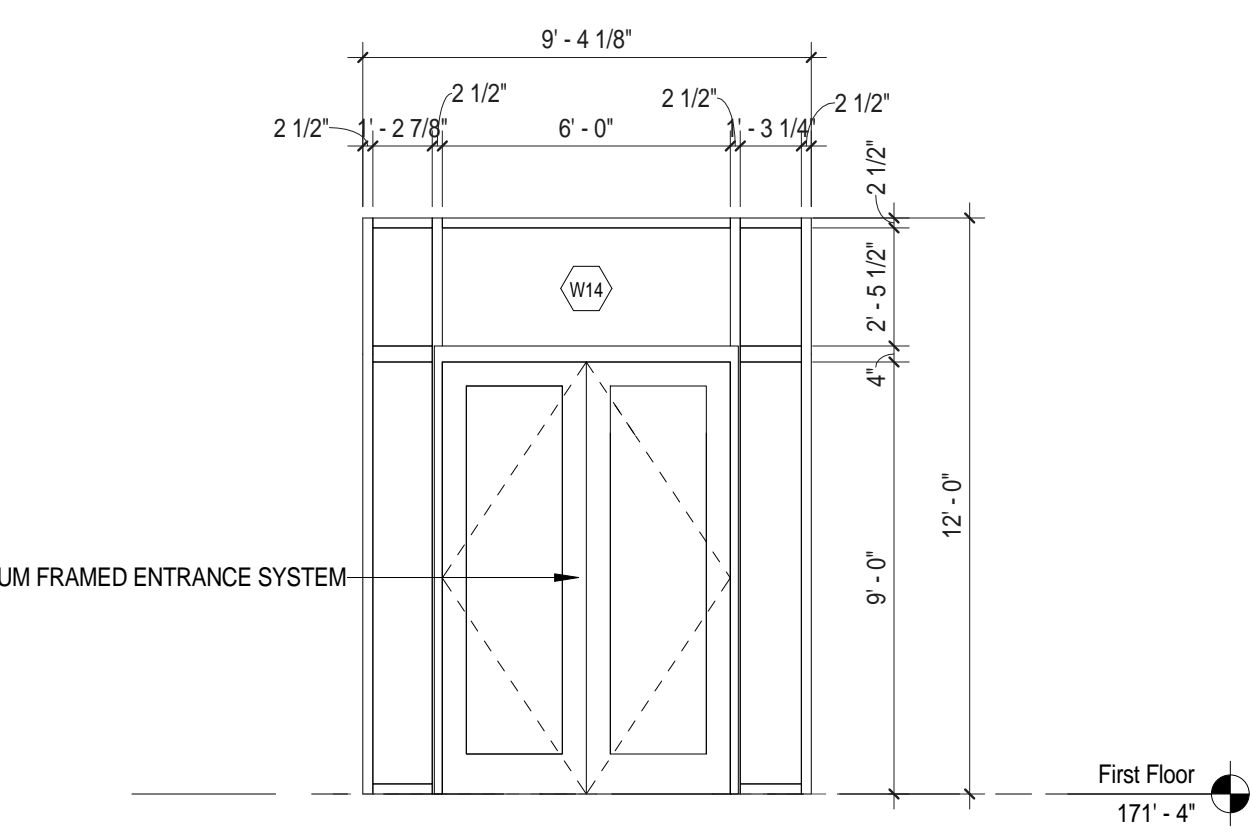
W11 Window Type W11 - Curtain Wall Assembly
1/4" = 1'-0"



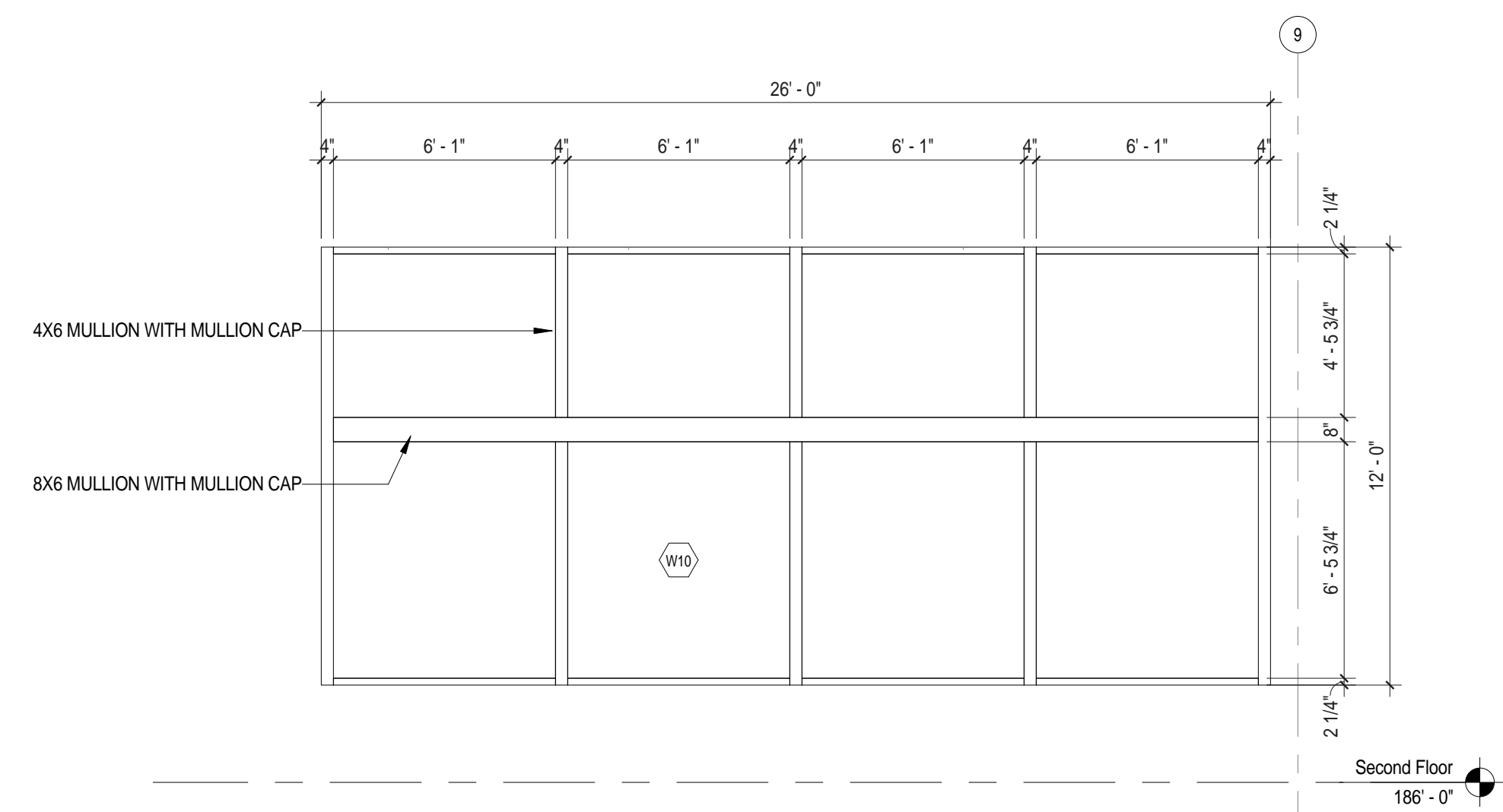
W7 Window Type W7 - Curtain Wall Assembly
1/4" = 1'-0"



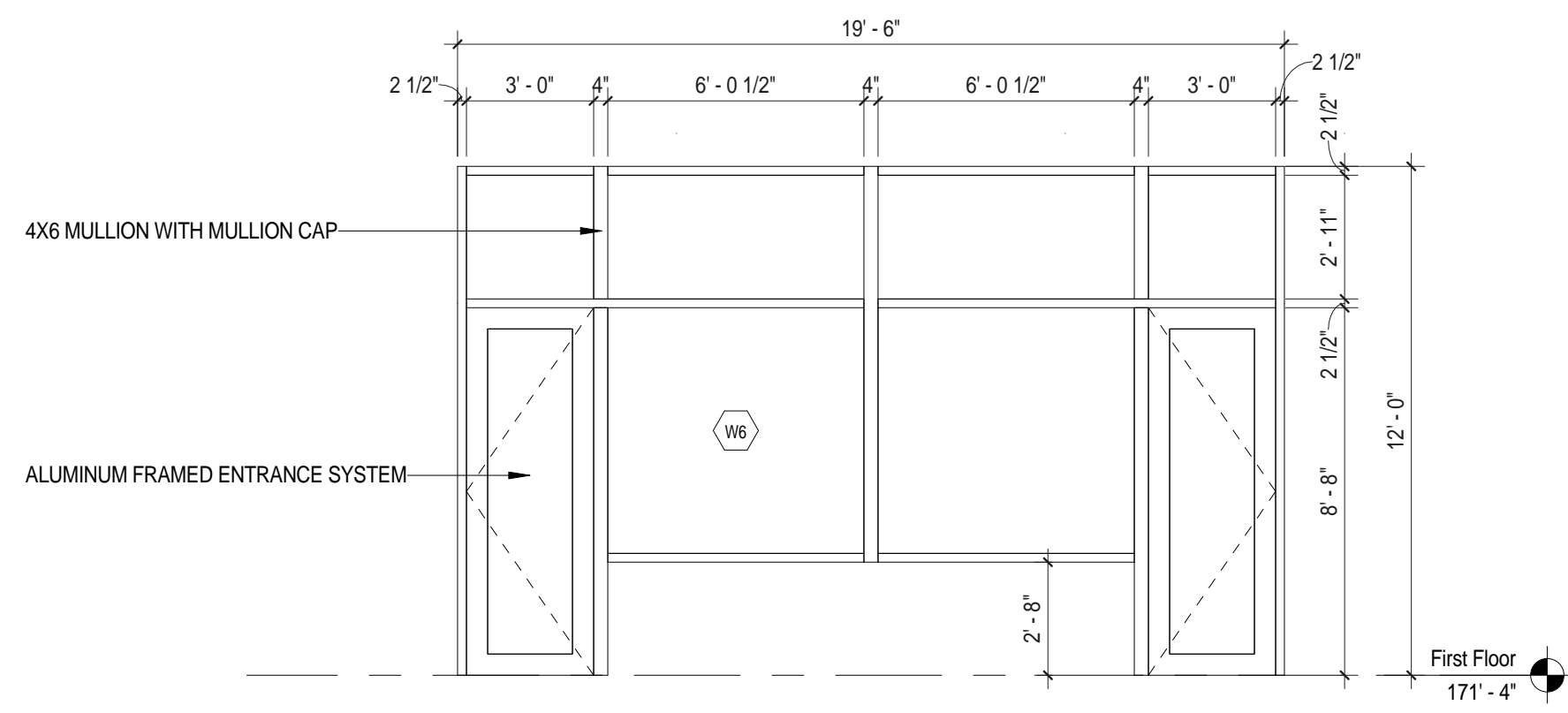
W3 Window Type W3 - Curtain Wall Assembly
1/4" = 1'-0"



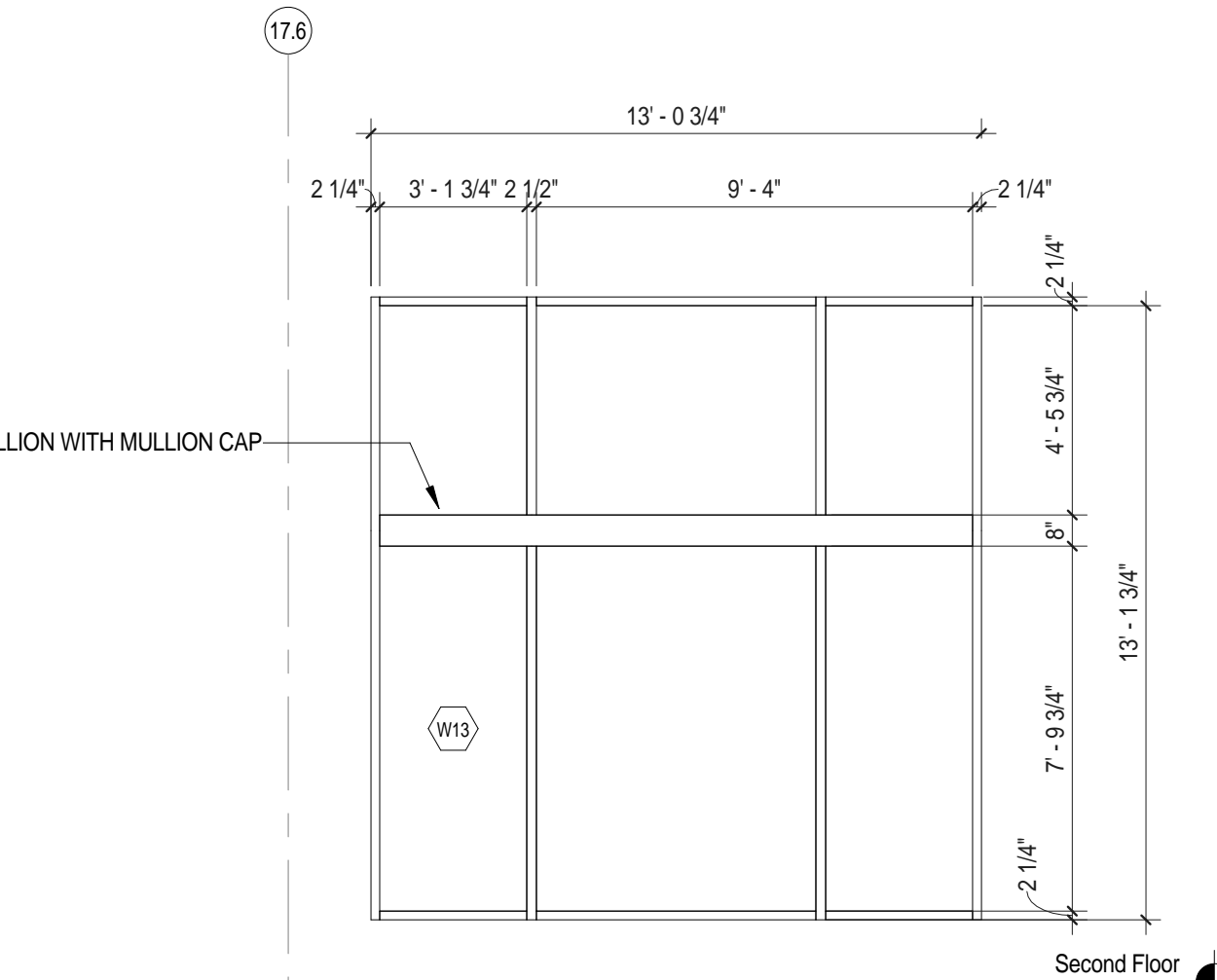
W14 Window Type W14 - Curtain Wall Assembly
1/4" = 1'-0"



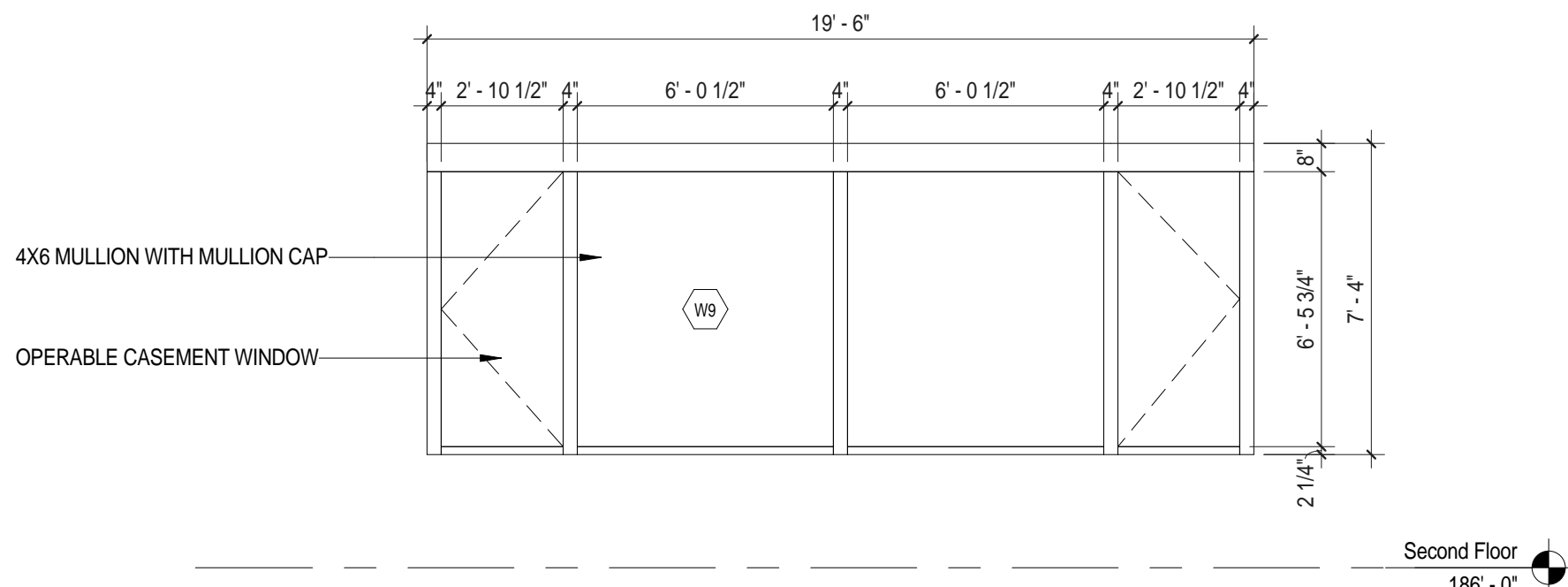
W10 Window Type W10 - Curtain Wall Assembly
1/4" = 1'-0"



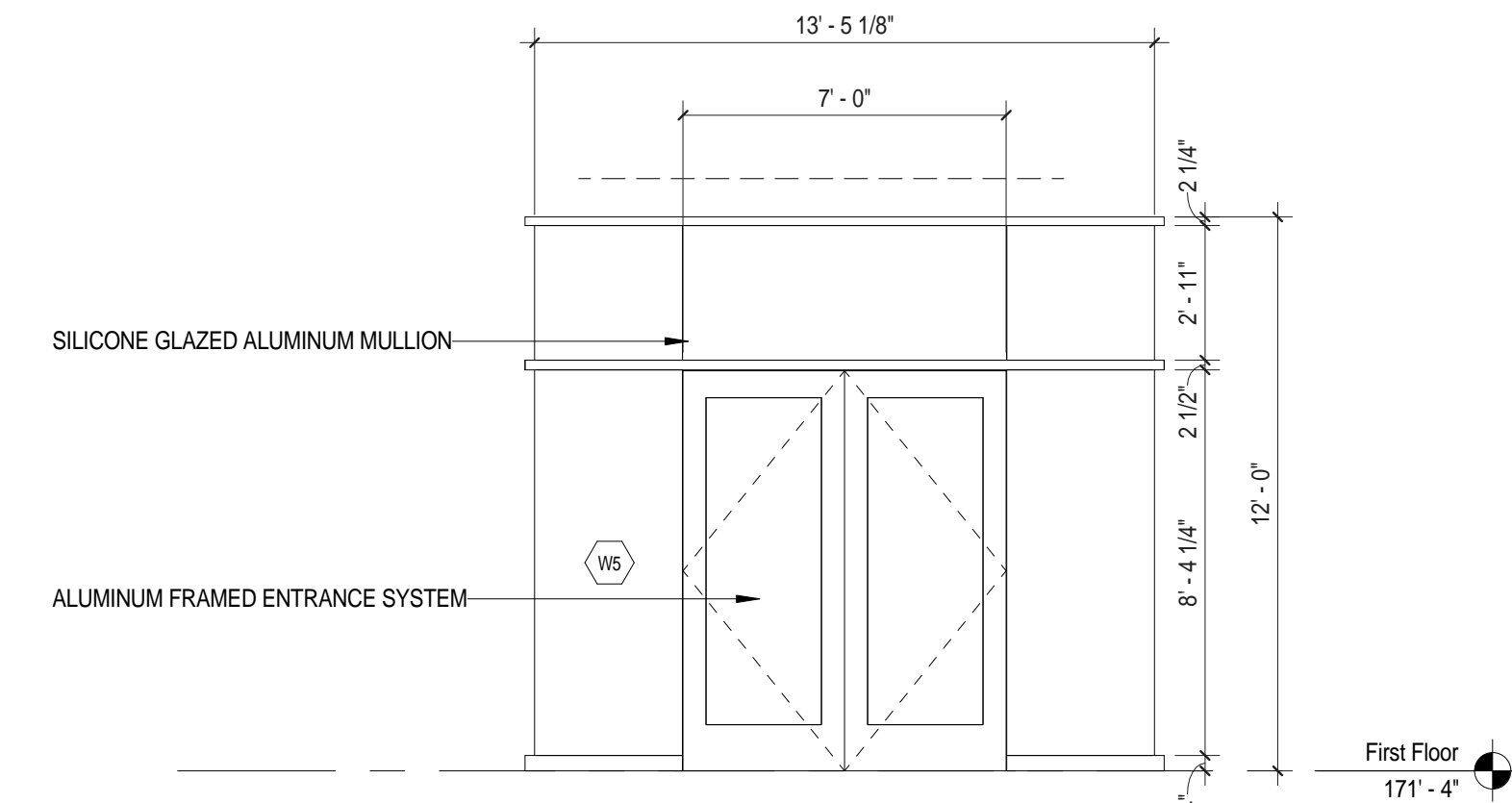
W6 Window Type W6 - Curtain Wall Assembly
1/4" = 1'-0"



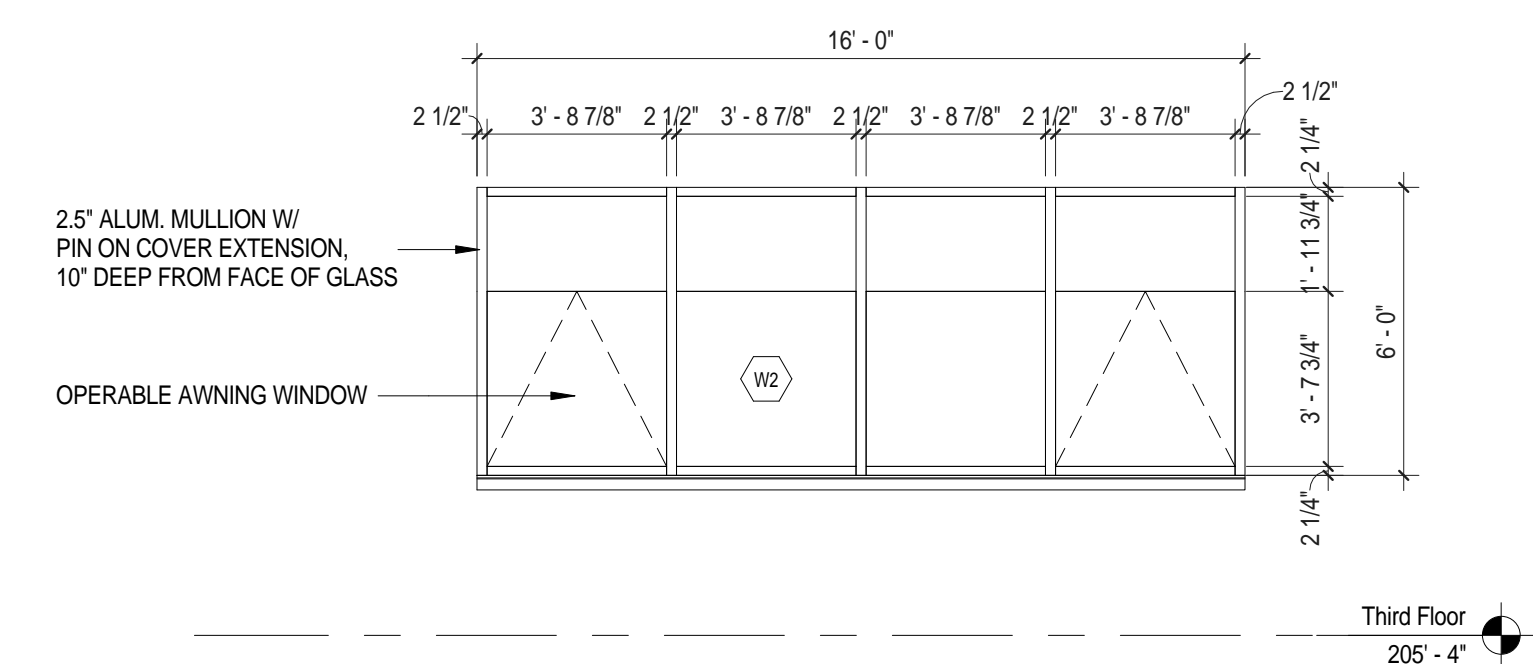
W13 Window Type W13 - Curtain Wall Assembly
1/4" = 1'-0"



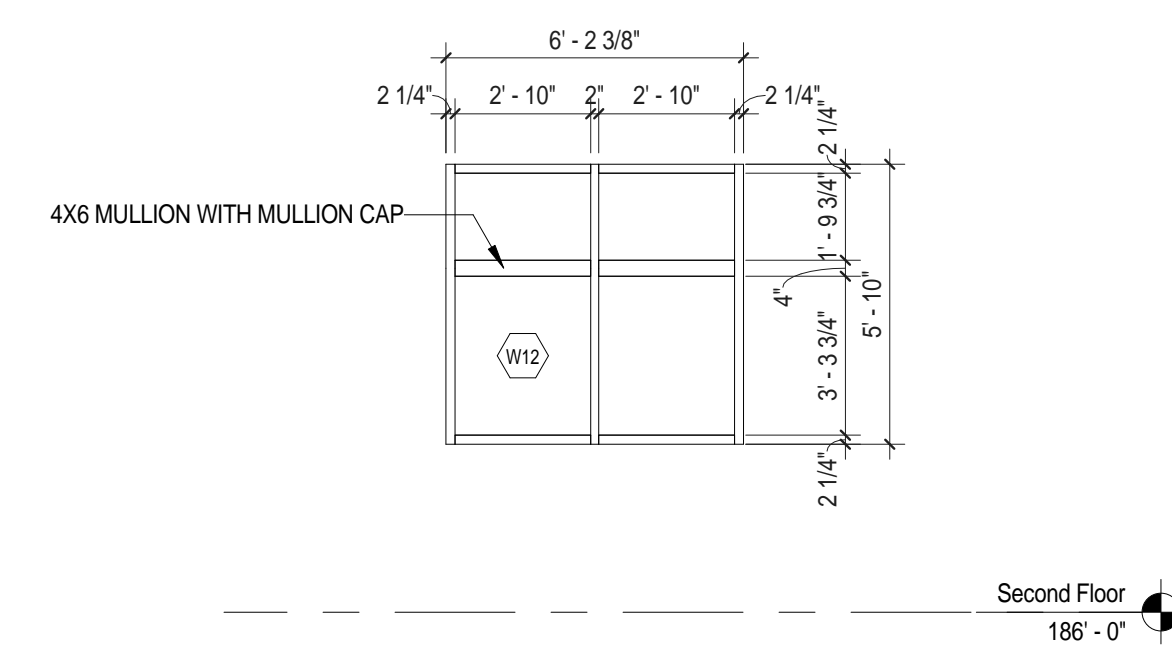
W9 Window Type W9 - Curtain Wall Assembly
1/4" = 1'-0"



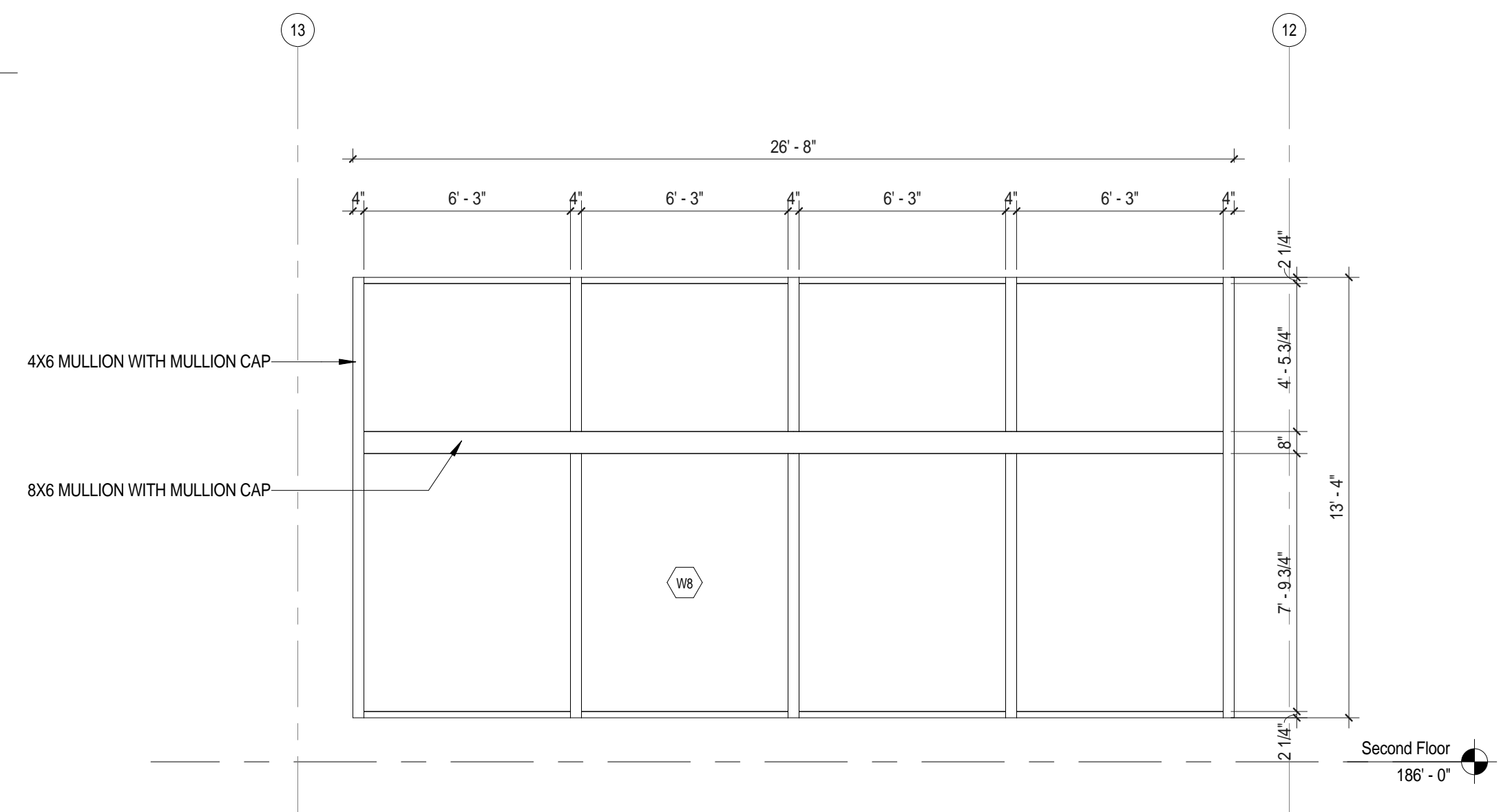
W5 Window Type W5 - Curtain Wall Assembly
1/4" = 1'-0"



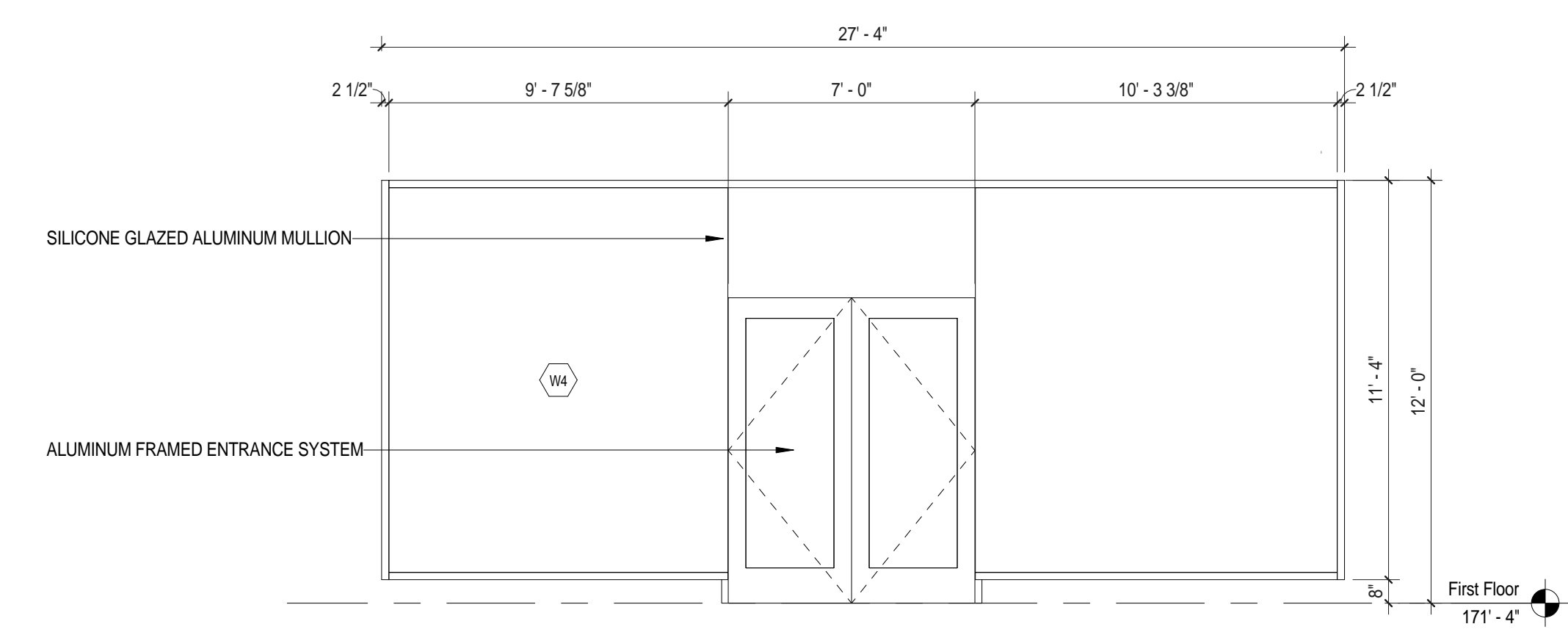
W2 Window Type W2 - Curtain Wall Assembly
1/4" = 1'-0"



W12 Window Type W12 - Curtain Wall Assembly
1/4" = 1'-0"



W8 Window Type W8 - Curtain Wall Assembly
1/4" = 1'-0"

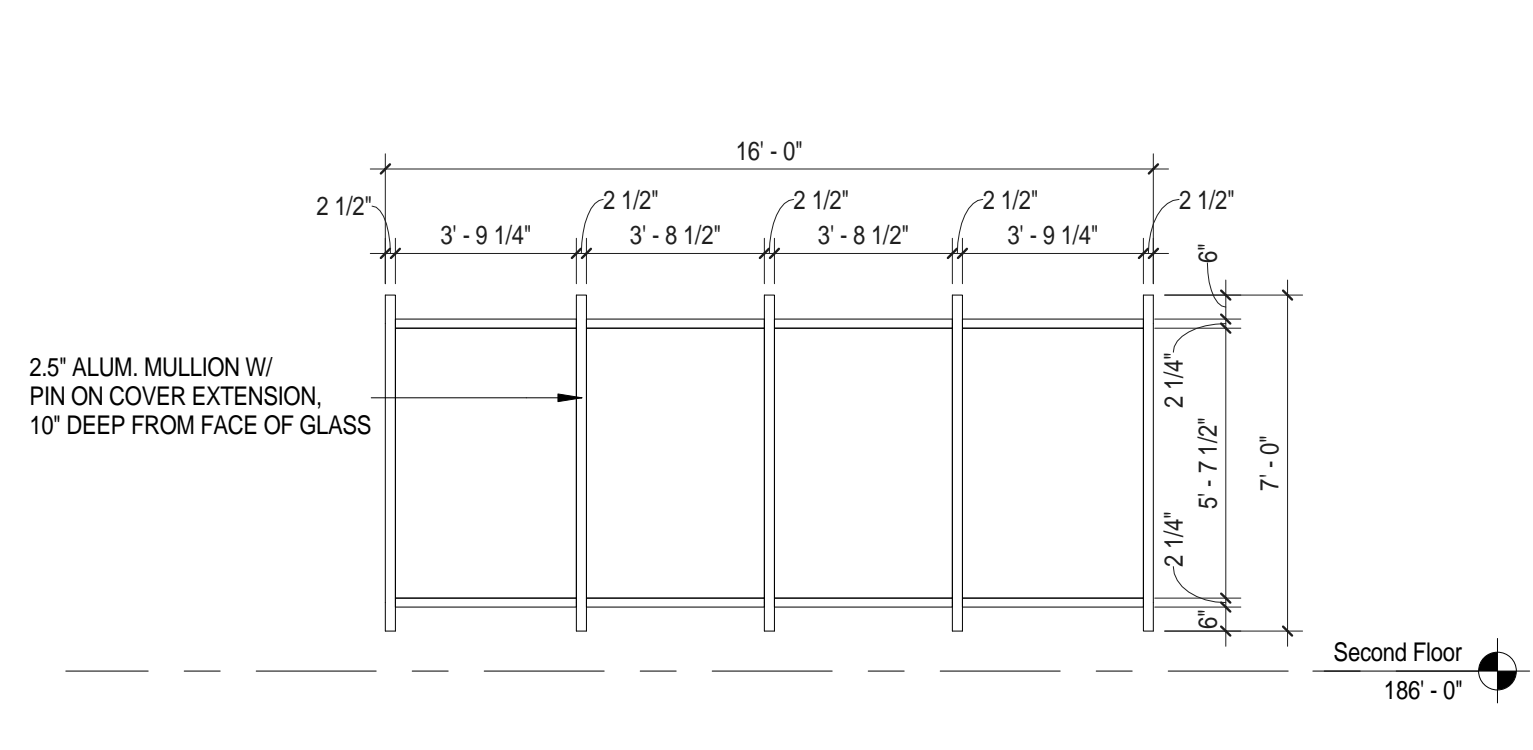


W4 Window Type W4 - Curtain Wall Assembly
1/4" = 1'-0"

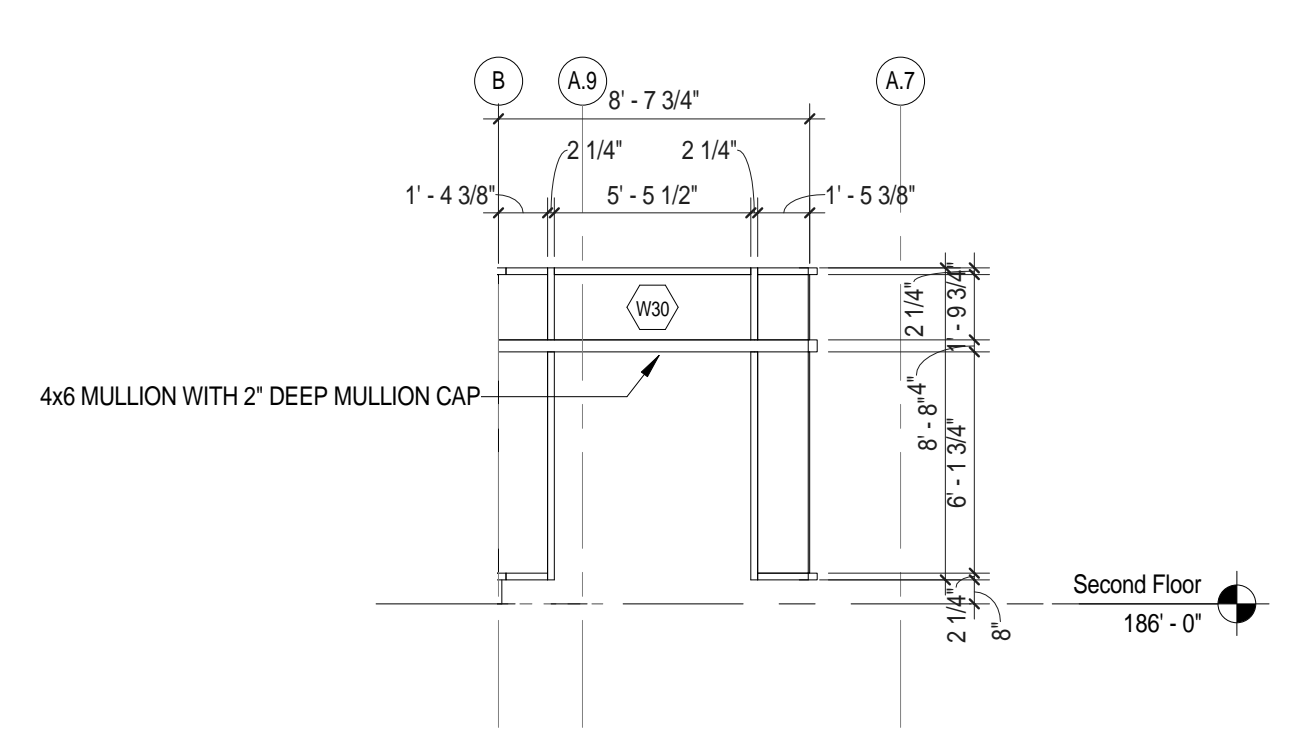
C:\Users\arad\Documents\Concord-Carlisle_HS_CENTRAL.dwg 8/15/2012 1:31:41 PM

Architect: omr architects inc 543 Massachusetts Ave, West Acton, MA 01720 www.omr-architects.com t: 978.264.0160	Consulting Engineer:	Registration: <i>Design Development Submission</i>	Project Name and Address: Concord-Carlisle Regional High School 500 Walden Street Concord, MA 01742	Issue Submissions: No. Date Description 8/15/2012 Design Development Submission	Title: Window Elevations	Project No.: 1102.00
				Date: August 15, 2012	Scale: 1/4" = 1'-0"	Drawn: DR

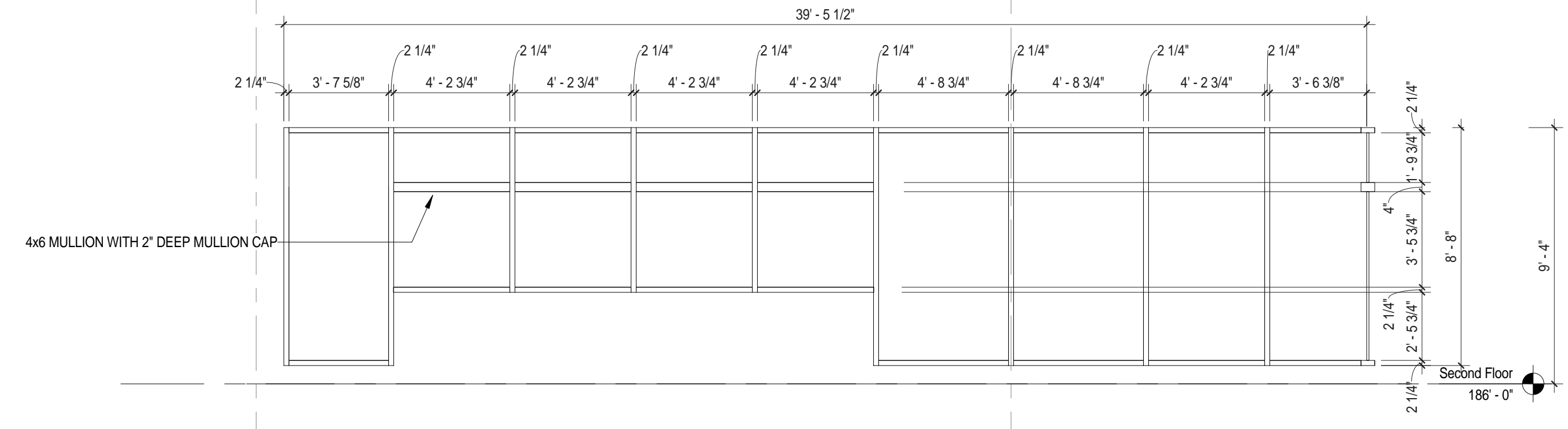
E



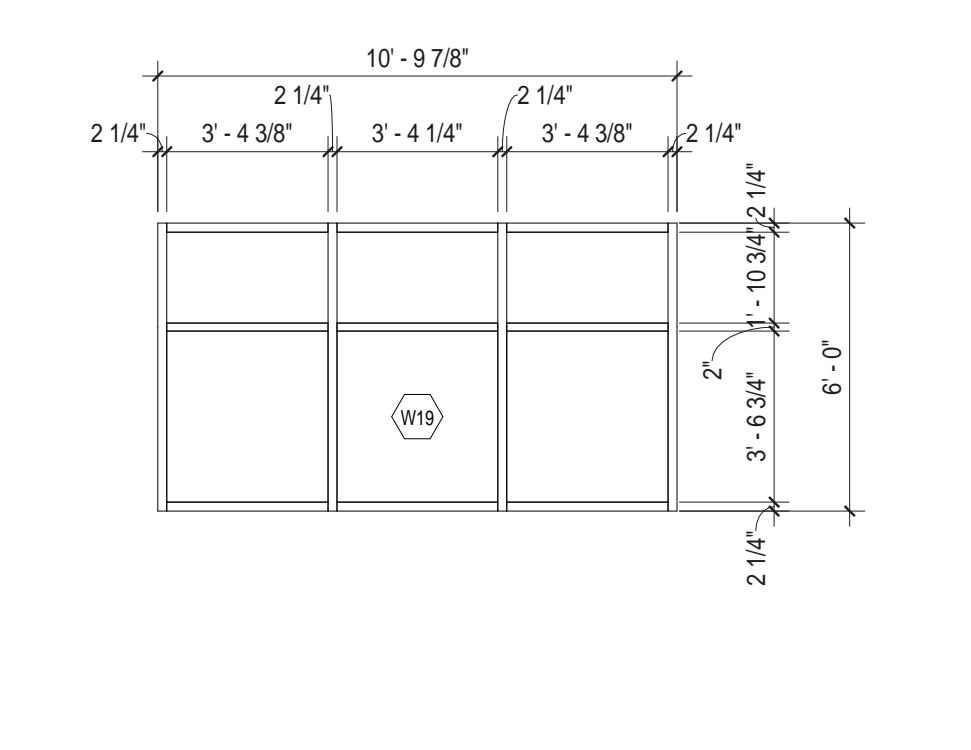
W31 Window Type W31 - Curtain Wall Assembly
1/4" = 1'-0"



W30 Window Type W30 - Curtain Wall Assembly
3/16" = 1'-0"

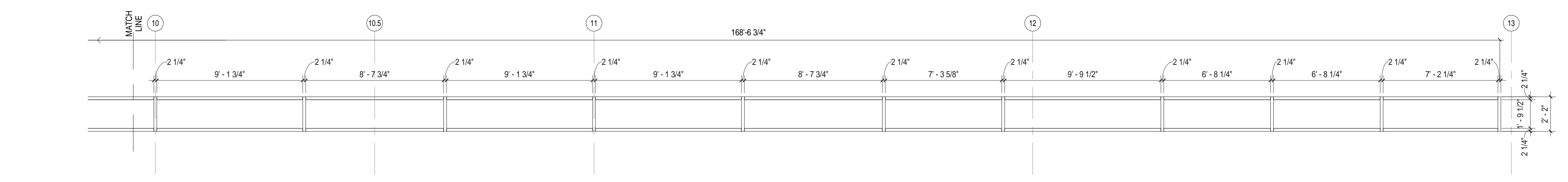


W23 Window Type W23 - Curtain Wall Assembly
1/4" = 1'-0"

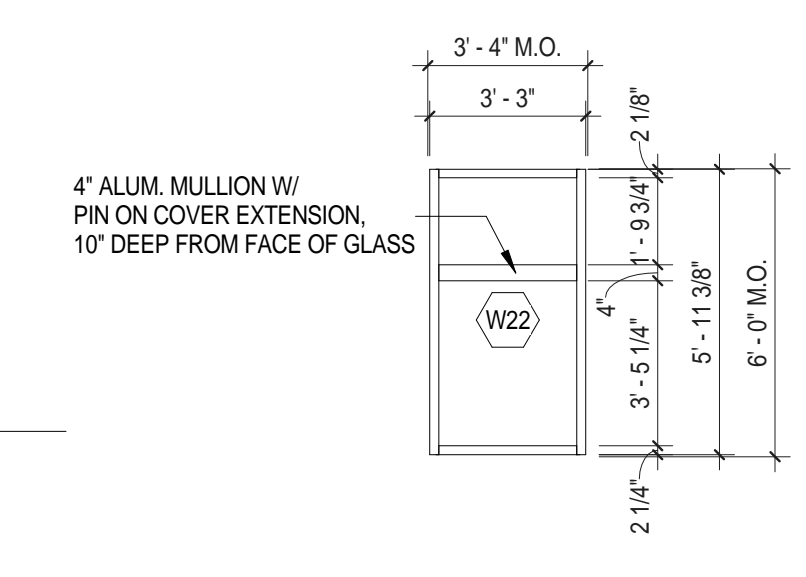


W19 Window Type W19 - Curtain Wall Assembly
1/4" = 1'-0"

D

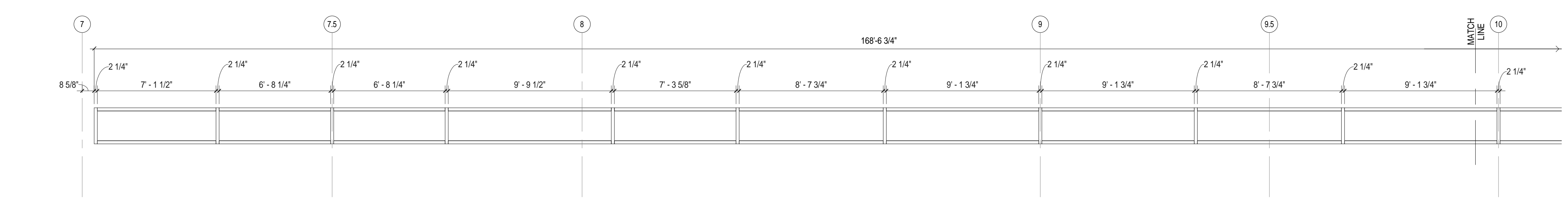


W26b Window Type W26 - Curtain Wall Assembly (Continued)
1/4" = 1'-0"

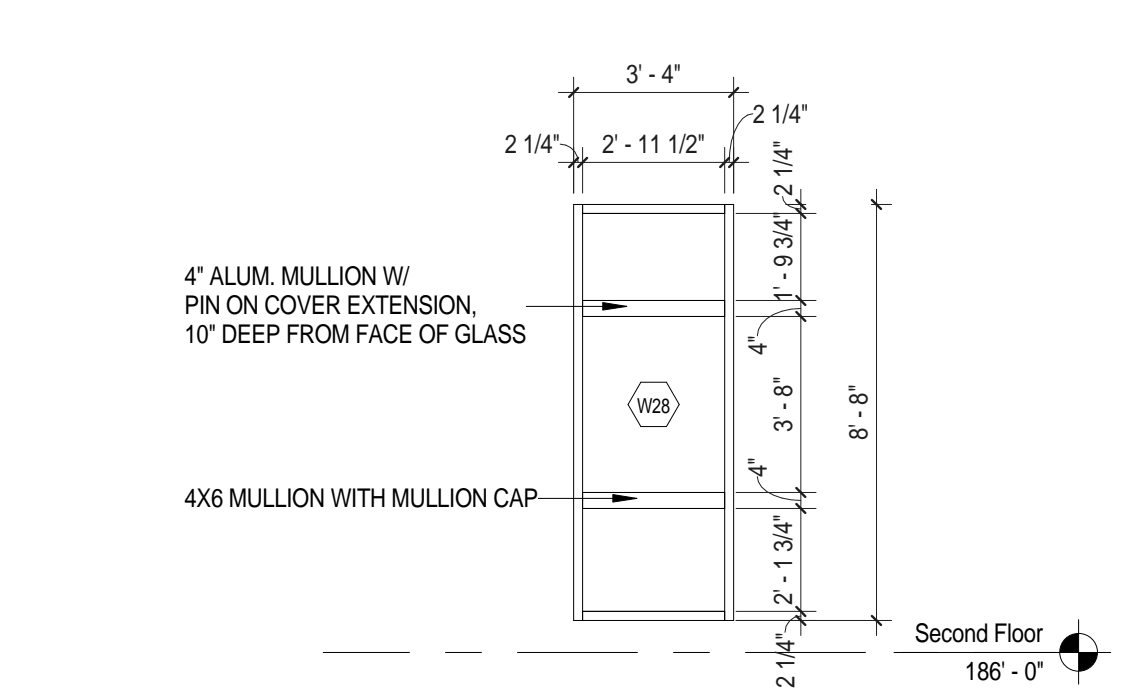


W22 Window Type W22 - Curtain Wall Assembly
1/4" = 1'-0"

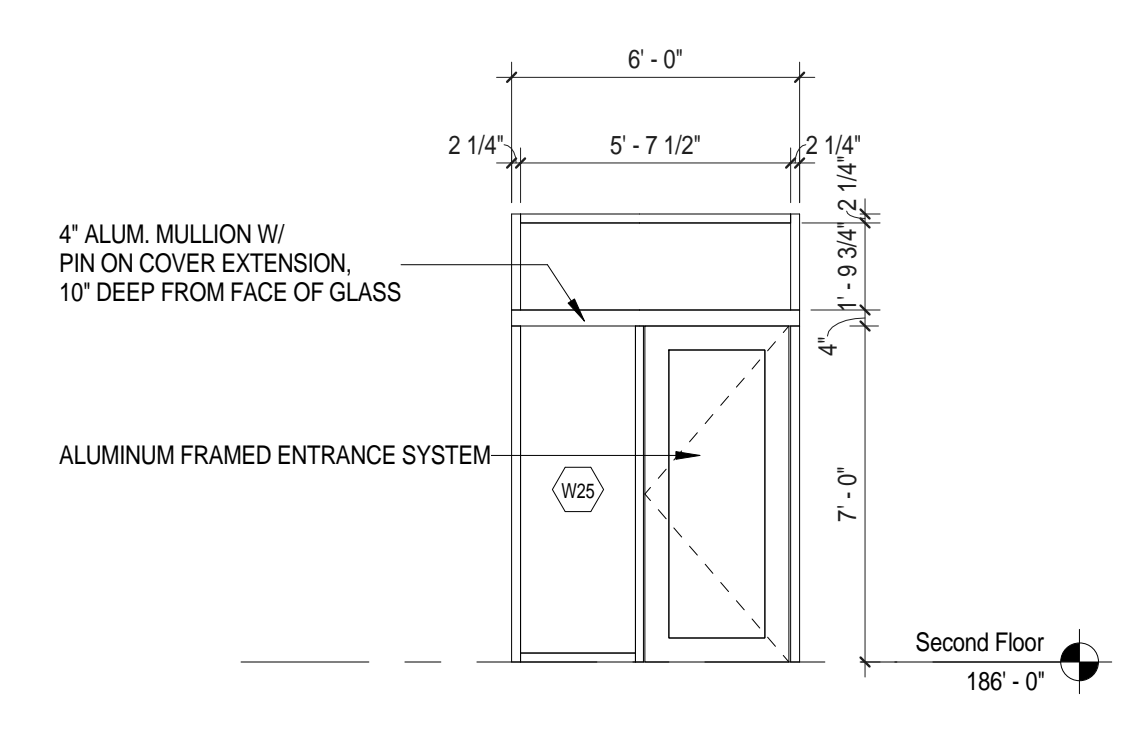
C



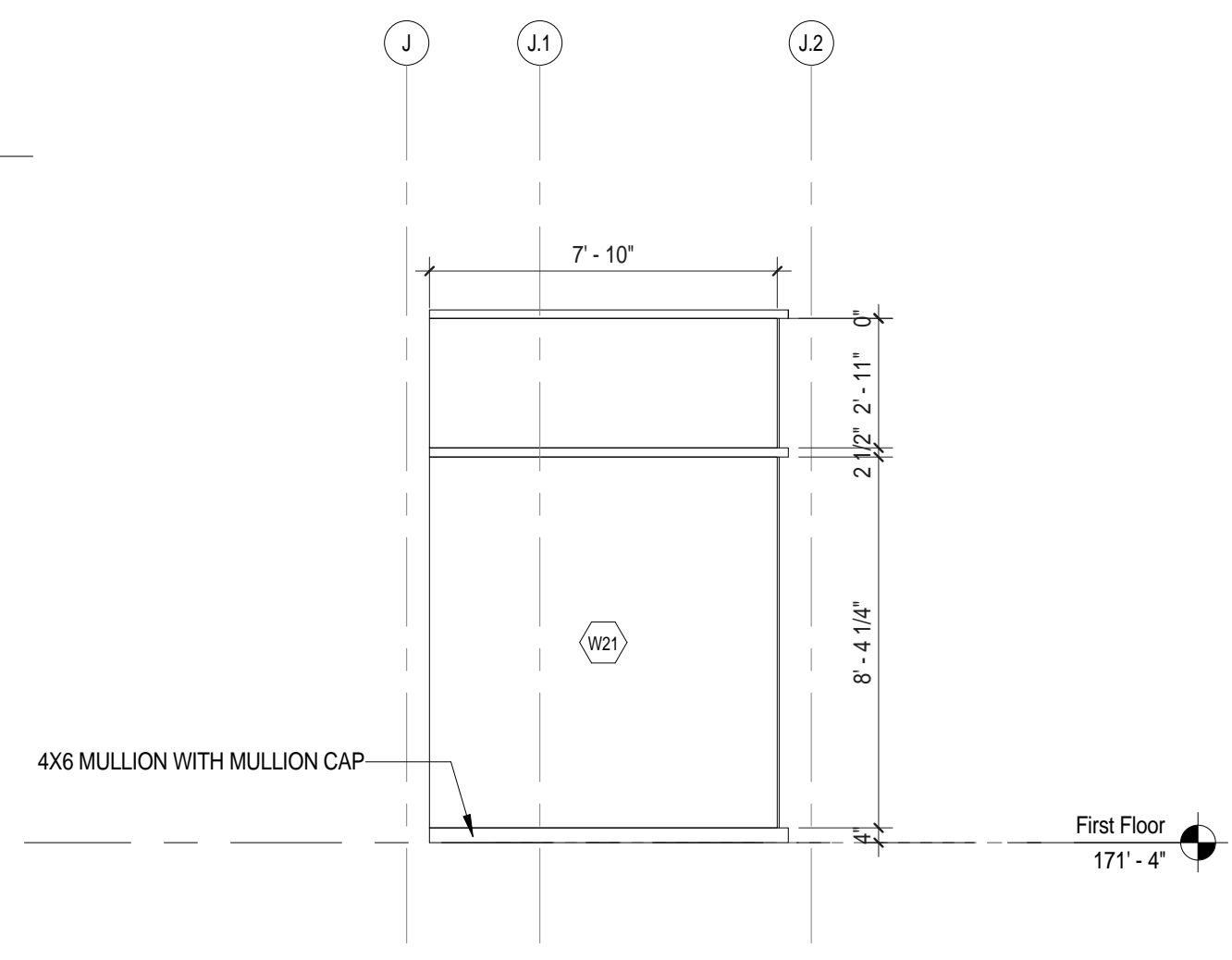
W26a Window Type W26 - Curtain Wall Assembly
1/4" = 1'-0"



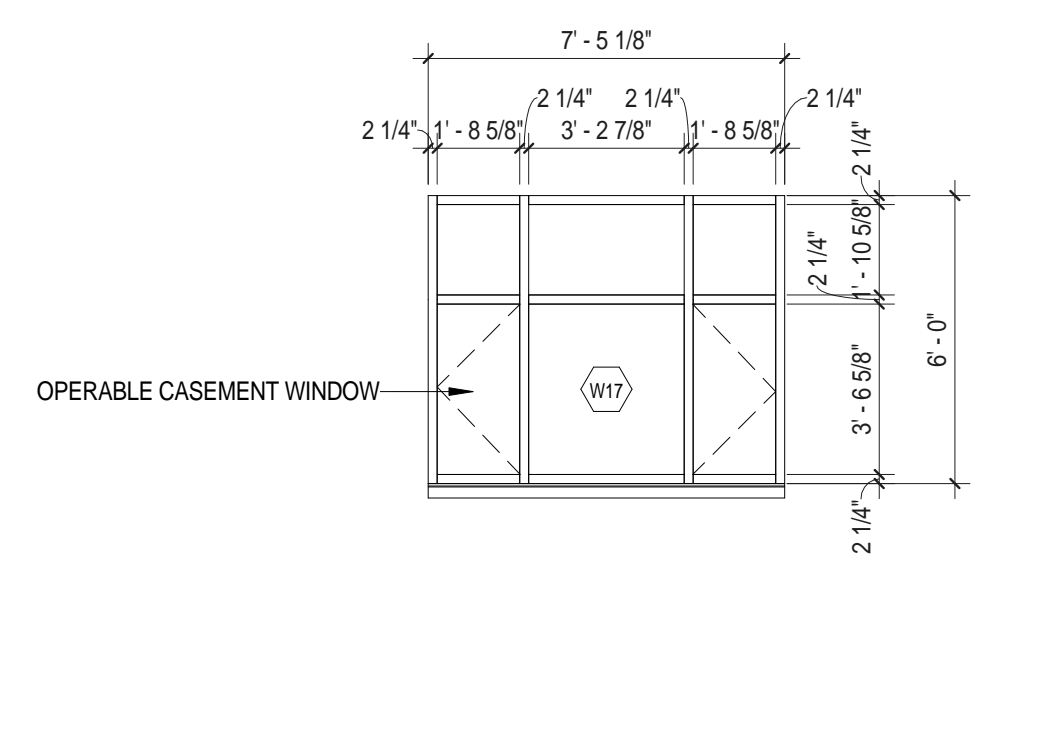
W28 Window Type W28 - Curtain Wall Assembly
1/4" = 1'-0"



W25 Window Type W25 - Curtain Wall Assembly
1/4" = 1'-0"

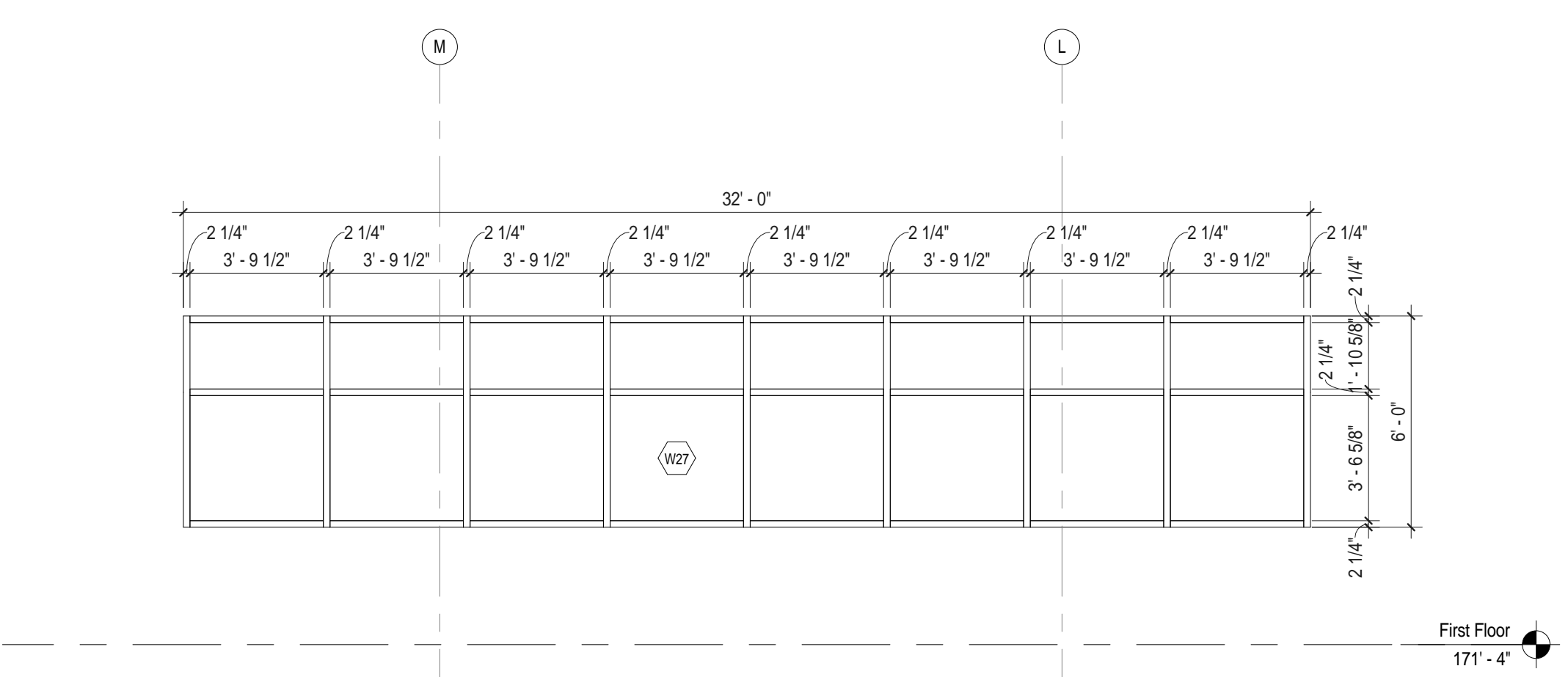


W21 Window Type W21 - Curtain Wall Assembly
1/4" = 1'-0"

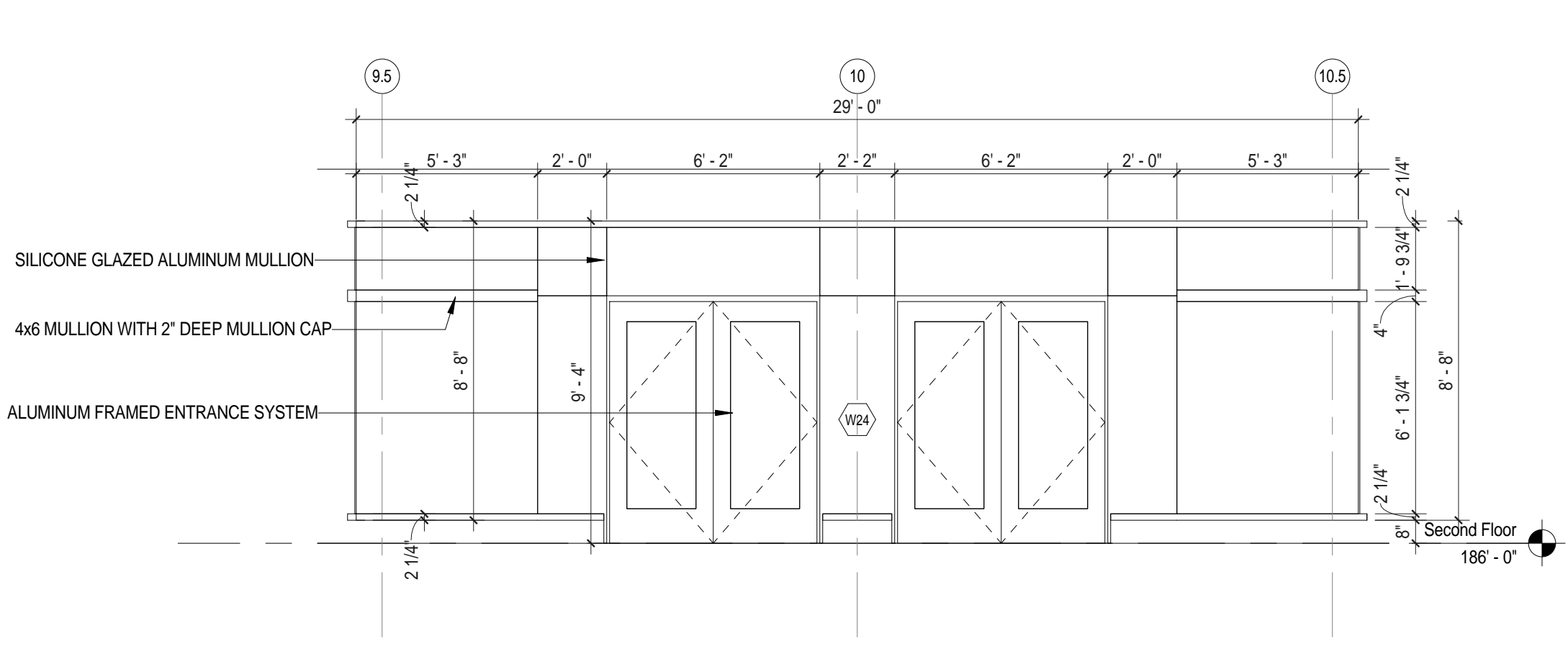


W17 Window Type W17 - Curtain Wall Assembly
1/4" = 1'-0"

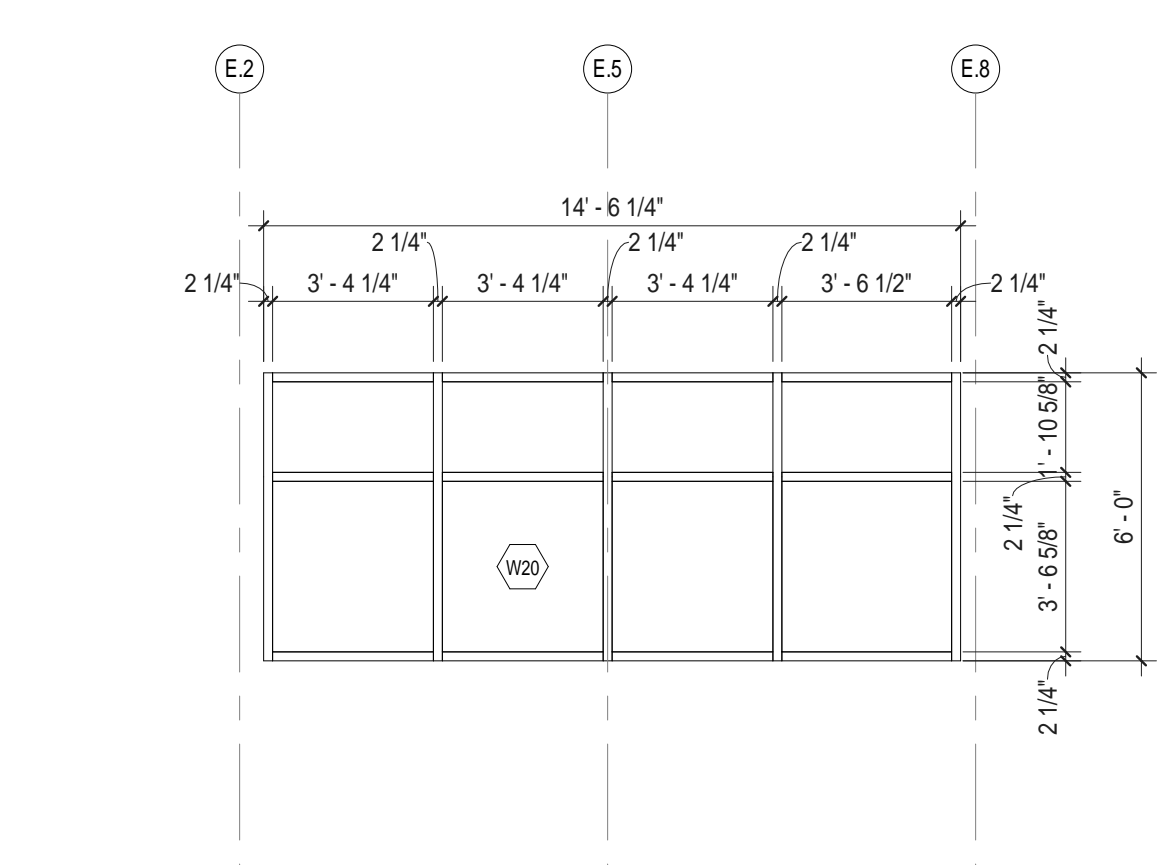
B



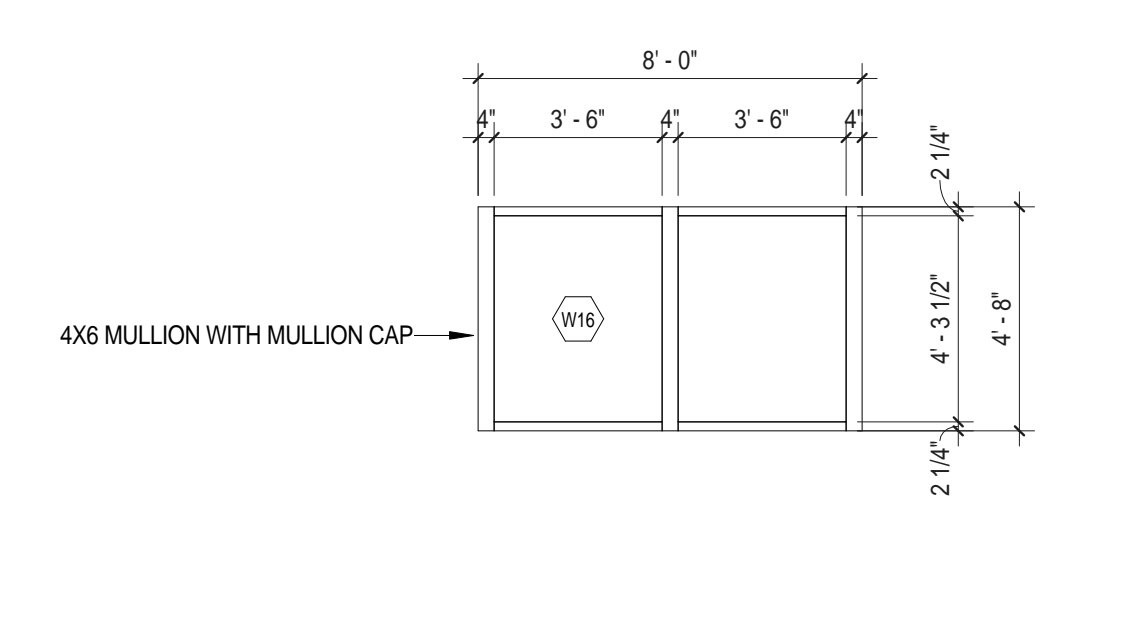
W27 Window Type W27 - Curtain Wall Assembly
1/4" = 1'-0"



W24 Window Type W24 - Curtain Wall Assembly
1/4" = 1'-0"



W20 Window Type W20 - Curtain Wall Assembly
1/4" = 1'-0"



W16 Window Type W16 - Curtain Wall Assembly
1/4" = 1'-0"

C:\Users\jra\OneDrive\Documents\Concord Carlisle HS_CENTRAL.dwg
 Window Elevation A7.2
 Printed: 8/15/2012 1:04:26 PM

Architect: omr architects inc 543 Massachusetts Ave, West Acton, MA 01720 www.omr-architects.com t: 978.264.0160	Consulting Engineer: 	Registration: <i>Design Development Submission</i>	Project Name and Address: <h2 style="text-align: center;">Concord-Carlisle Regional High School</h2> <p style="text-align: center;">500 Walden Street Concord, MA 01742</p>	Issue Submissions: <table border="1"> <thead> <tr> <th>No.</th> <th>Date</th> <th>Description</th> </tr> </thead> <tbody> <tr> <td>1</td> <td>8/15/2012</td> <td>Design Development Submission</td> </tr> </tbody> </table>	No.	Date	Description	1	8/15/2012	Design Development Submission	Title: <h3 style="text-align: center;">Window Elevations</h3>	Project No.: 1102.00 Drawing No.: <h2 style="text-align: center;">A7.2</h2>
No.	Date	Description										
1	8/15/2012	Design Development Submission										
			Date: August 15, 2012 Scale: As indicated Drawn: DR Checked: jff/rs		© omr architects inc							